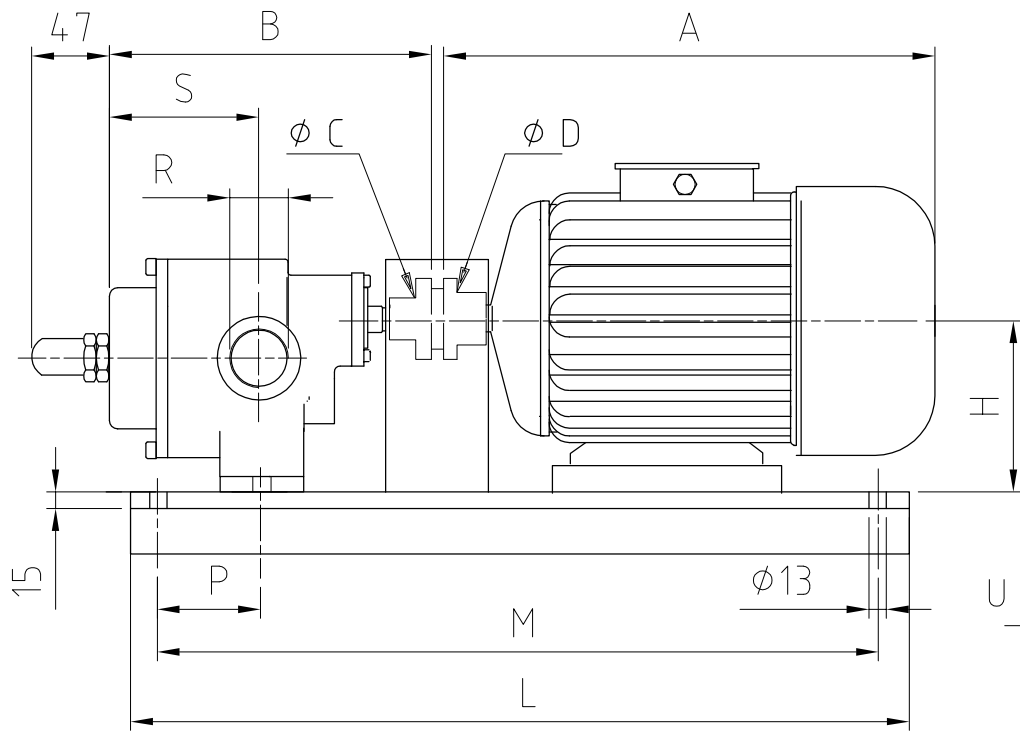
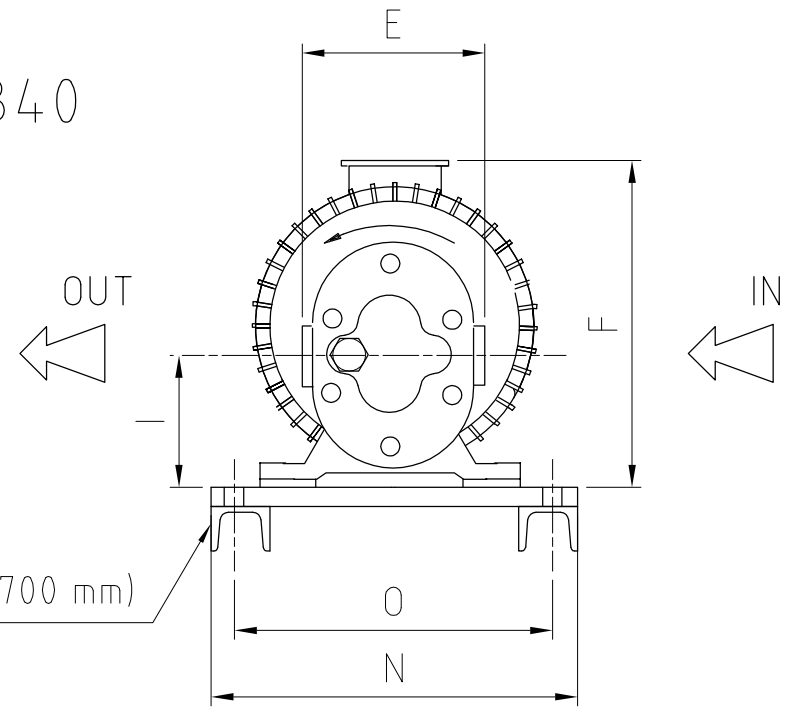


GRUPPO POMPA AD INGRANAGGI SERIE B CON TENUTA MECCANICA O BADERNA
GEAR PUMP SET RANGE B WITH MECHANICAL SEAL OR PACKING RINGS



B5 - B40

U 50x38 (only for L > 700 mm)



**GRUPPO POMPA AD INGRANAGGI SERIE B CON TENUTA MECCANICA O BADERNA
GEAR PUMP SET RANGE B WITH MECHANICAL SEAL OR PACKING RINGS**

Pompa Pump	Motore Motor	Dimensioni - Dimensions * [mm]														
		A	B	C	D	E	F	H	I	L	M	N	O	P	R	S
B 5	Gr. 63	212	160	12	11	88	177	80	64	470	440	220	190	50	1/2"	60
	Gr. 71	237	160	12	14	88	186	80	64	470	440	220	190	50	1/2"	60
	Gr. 80	276	160	12	19	88	190	80	64	470	440	220	190	50	1/2"	60
	Gr. 90	331	160	12	24	88	232	90	74	470	440	220	190	50	1/2"	60
B 10	Gr. 63	212	170	12	11	88	177	80	64	470	440	220	190	50	1/2"	70
	Gr. 71	237	170	12	14	88	186	80	64	470	440	220	190	50	1/2"	70
	Gr. 80	276	170	12	19	88	190	80	64	470	440	220	190	50	1/2"	70
	Gr. 90	331	170	12	24	88	232	90	74	470	440	220	190	50	1/2"	70
B 15	Gr. 71	237	180	12	14	88	186	80	64	470	440	220	190	50	3/4"	60
	Gr. 80	276	180	12	19	88	190	80	64	470	440	220	190	50	3/4"	60
	Gr. 90	331	180	12	24	88	232	90	74	470	440	220	190	50	3/4"	60
B 25	Gr. 71	237	190	12	14	88	186	80	64	470	440	220	190	50	3/4"	74
	Gr. 80	276	190	12	19	88	190	80	64	470	440	220	190	50	3/4"	74
	Gr. 90	331	190	12	24	88	232	90	74	470	440	220	190	50	3/4"	74
B 40	Gr. 80	276	235	15	19	122	207	97	77	580	540	250	210	67	1"	85
	Gr. 90	331	235	15	24	122	239	97	77	580	540	250	210	67	1"	85
	Gr. 100	374	235	15	28	122	255	100	80	580	540	250	210	67	1"	85
	Gr. 112	383	235	15	28	122	280	112	92	580	540	250	210	67	1"	85

* *Dimensioni non impegnative - Dimensions are not binding*