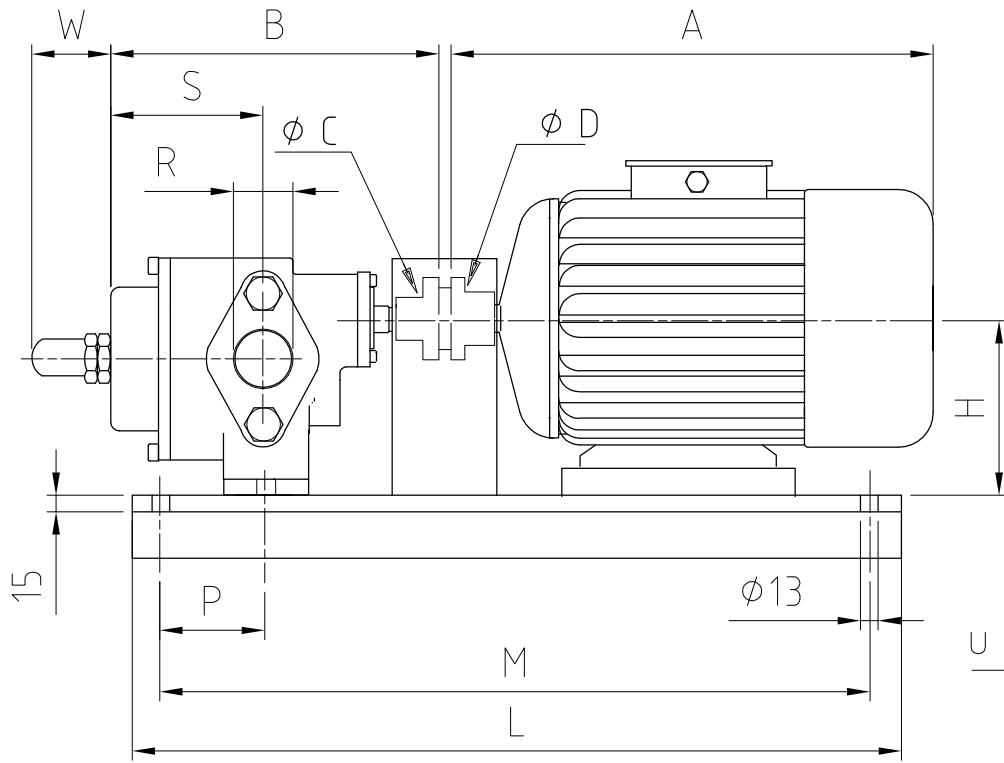
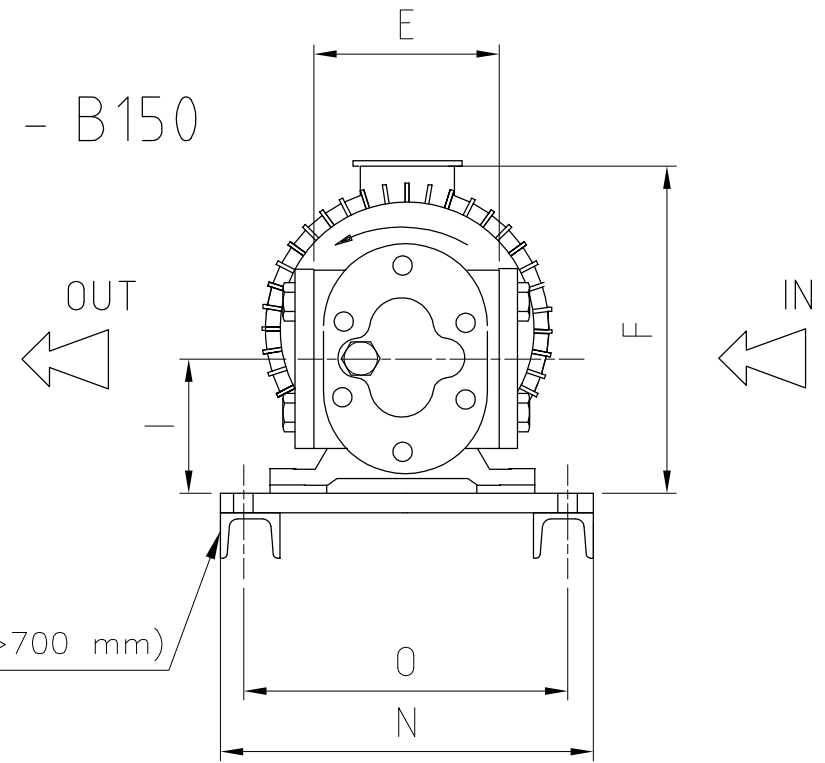


**GRUPPO POMPA AD INGRANAGGI SERIE B CON TENUTA MECCANICA O BADERNA**  
**GEAR PUMP SET RANGE B WITH MECHANICAL SEAL OR PACKING RINGS**



B50 - B150



U 50x38 (only for L > 700 mm)

**GRUPPO POMPA AD INGRANAGGI SERIE B CON TENUTA MECCANICA O BADERNA  
GEAR PUMP SET RANGE B WITH MECHANICAL SEAL OR PACKING RINGS**

Pompa Pump	Motore Motor	Dimensioni - Dimensions * [mm]															
		A	B	C	D	E	F	H	I	L	M	N	O	P	R	S	W
<b>B 50</b>	Gr. 80	276	235	15	19	100	224	114	92	580	540	250	210	75	1 1/2"	85	47
	Gr. 90	331	235	15	24	100	256	114	92	580	540	250	210	75	1 1/2"	85	47
	Gr. 100	374	235	15	28	100	269	114	92	580	540	250	210	75	1 1/2"	85	47
	Gr. 112	383	235	15	28	100	282	114	92	580	540	250	210	75	1 1/2"	85	47
<b>B 70</b>	Gr. 80	276	245	15	19	100	224	114	92	580	540	250	210	75	1 1/2"	95	47
	Gr. 90	331	245	15	24	100	256	114	92	580	540	250	210	75	1 1/2"	95	47
	Gr. 100	374	245	15	28	100	269	114	92	580	540	250	210	75	1 1/2"	95	47
	Gr. 112	383	245	15	28	100	282	114	92	580	540	250	210	75	1 1/2"	95	47
<b>B 100</b>	Gr. 100	374	261	24	28	135	297	142	111	700	640	300	240	95	2"	101	54
	Gr. 112	383	261	24	28	135	310	142	111	700	640	300	240	95	2"	101	54
	Gr. 132	480	261	24	38	135	323	142	111	850	800	400	350	165	2"	101	54
<b>B 150</b>	Gr. 100	374	281	24	28	135	297	142	111	700	640	300	240	95	2"	121	54
	Gr. 112	383	281	24	28	135	310	142	111	700	640	300	240	95	2"	121	54
	Gr. 132	480	281	24	38	135	323	142	111	850	800	400	350	165	2"	121	54

\* *Dimensioni non impegnative - Dimensions are not binding*