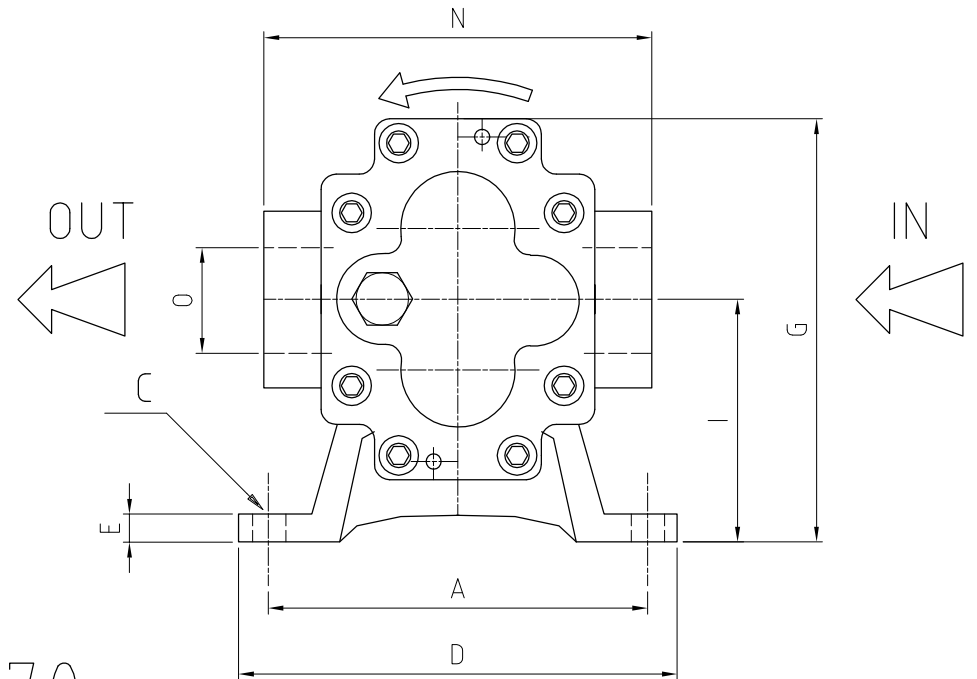
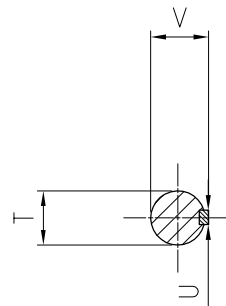
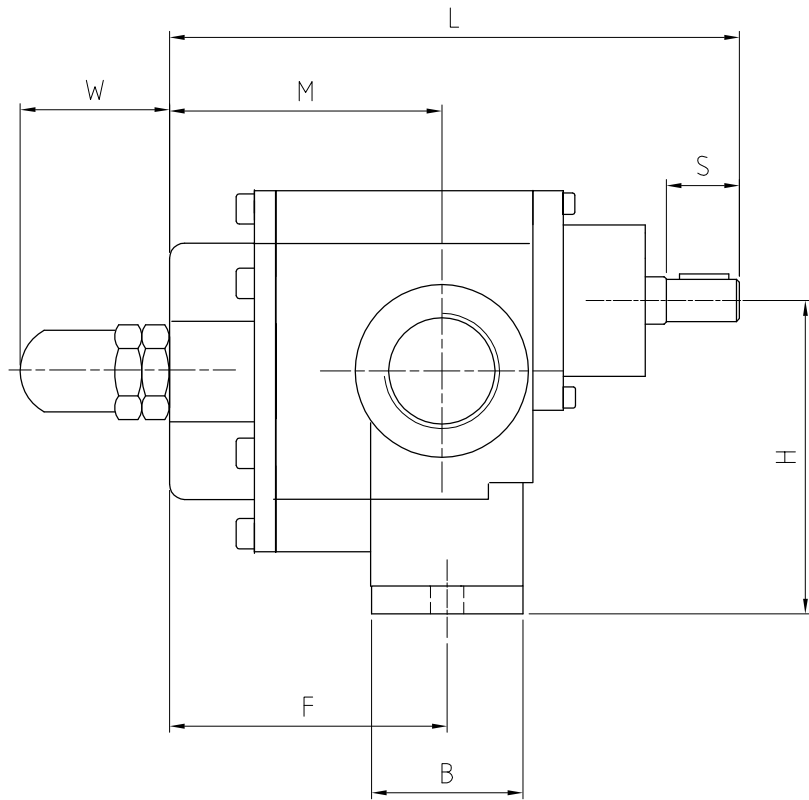


**POMPE AD INGRANAGGI SERIE MX 40-70 CON TENUTA MECCANICA O BADERNA**  
**GEAR PUMPS RANGE MX 40-70 WITH MECHANICAL SEAL OR PACKING RINGS**



MX 40-70

**POMPE AD INGRANAGGI SERIE MX 40-70 CON TENUTA MECCANICA O BADERNA  
GEAR PUMPS RANGE MX 40-70 WITH MECHANICAL SEAL OR PACKING RINGS**

Tipo-Type	Dimensioni-Dimensions [mm] *																			
	A	B	C	D	E	F	G	H	I	L	M	N	O	Q**	Q1***	S	T	U	V	W
<b>MX5</b>	106	40	11	130	7	52	115	80	64	149	52	98	3/4"	...	...	28	12	4	13,5	47
<b>MX10</b>	106	40	11	130	7	62	115	80	64	159	62	98	3/4"	...	...	28	12	4	13,5	47
<b>MX15</b>	106	40	11	130	7	72	115	80	64	169	72	98	3/4"	...	...	28	12	4	13,5	47
<b>MX25</b>	106	40	11	130	7	82	115	80	64	179	82	98	3/4"	...	...	28	12	4	13,5	47
<b>MX40</b>	125	40	11	145	8	70	136	100	76,5	193	70	138	1 1/2"	...	...	40	14	5	16	47
<b>MX50</b>	125	40	11	145	8	80	136	100	76,5	203	80	138	1 1/2"	...	...	40	14	5	16	47
<b>MX70</b>	125	40	11	145	8	90	136	100	76,5	213	90	138	1 1/2"	...	...	40	14	5	16	47
<b>MX100</b>	162	50	13	190	10	101	180	132	101	259	101	120	2"	160	210	50	24	8	27	54
<b>MX150</b>	162	50	13	190	10	121	180	132	101	279	121	120	2"	160	210	50	24	8	27	54

\* Dimensioni non impegnative - Dimensions are not binding

\*\* Con controflangia standard - With standard counterflange

\*\*\* Con controflangia S.A.E. - With S.A.E. counterflange